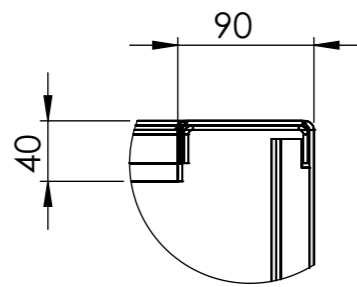
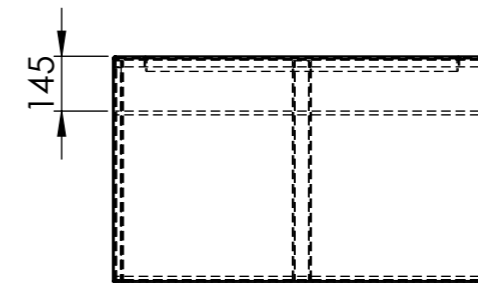
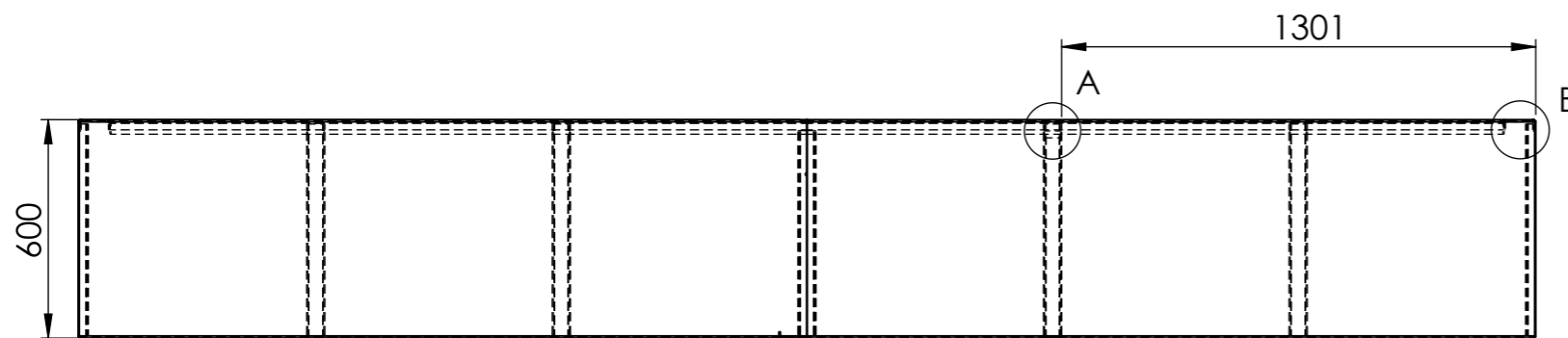
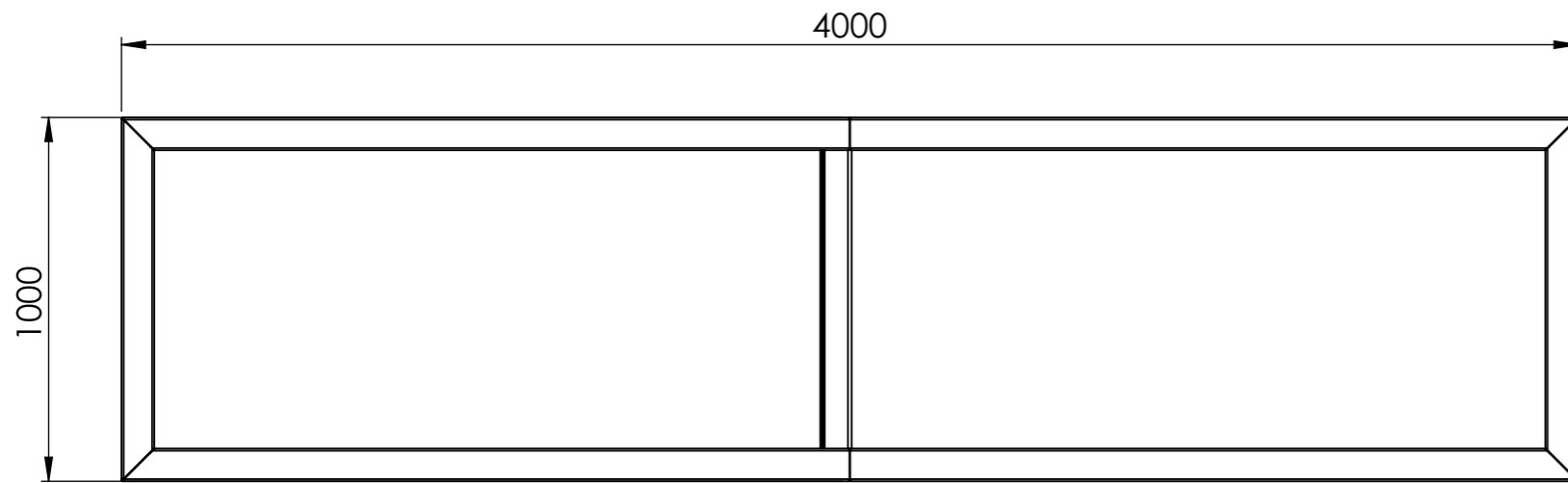
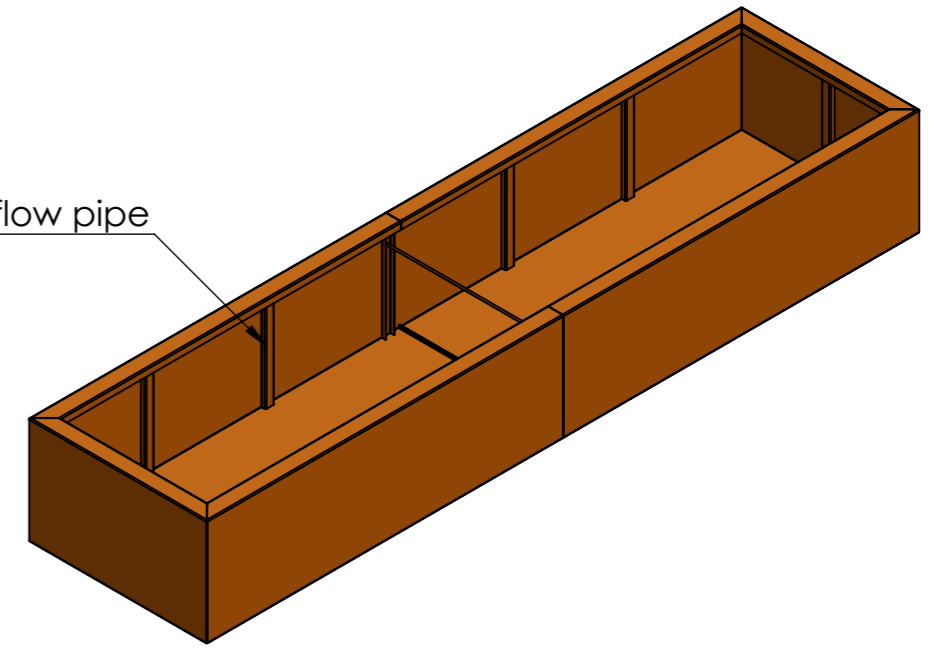


DETAIL A
SCALE 1 : 5



DETAIL B
SCALE 1 : 5

Overflow pipe



		DATE		TITLE:
DRAWN	Luuk van den Heuvel	2-2-2020		
REVISION	Bas Vlamings	5-4-2024		

ADEZZ
DESIGN TO GROW

Liessentstraat 4, 5405 AG Uden (NL).
t 0031 (0)413 - 27 41 68.
e info@adezz.com, i www.adezz.com

3mm Corten

Drawing.

VC3_

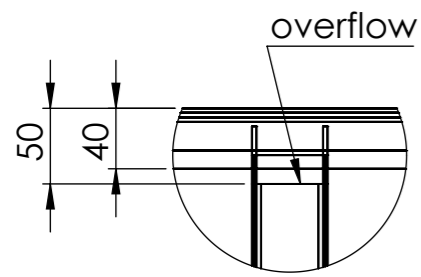
A3

Color: -

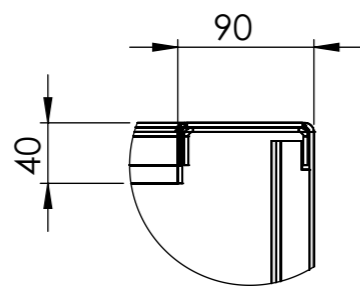
Mass (kg): **310,60**

SCALE:1:20

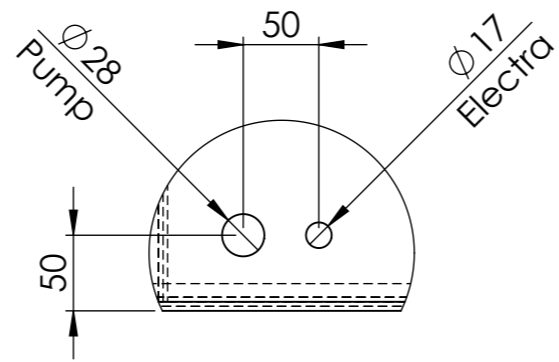
SHEET 1 OF 17



DETAIL A
SCALE 1 : 5

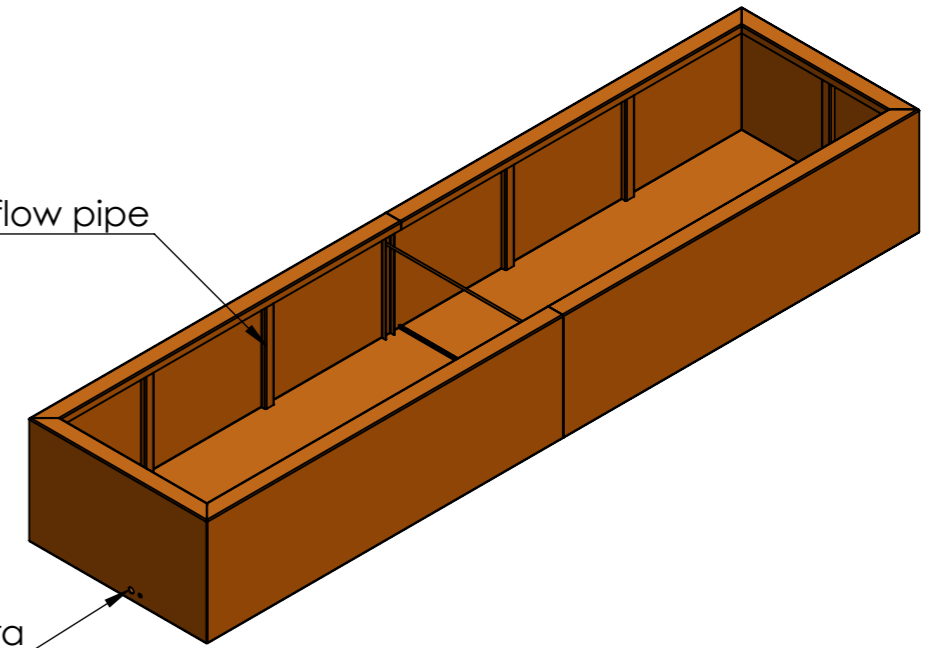


DETAIL B
SCALE 1 : 5

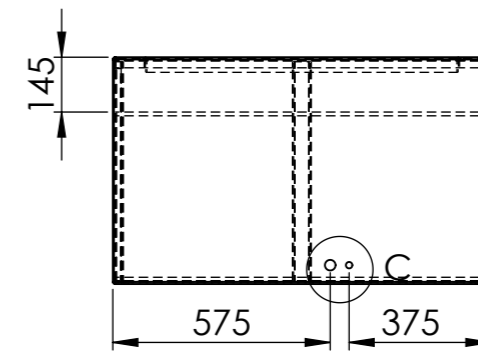
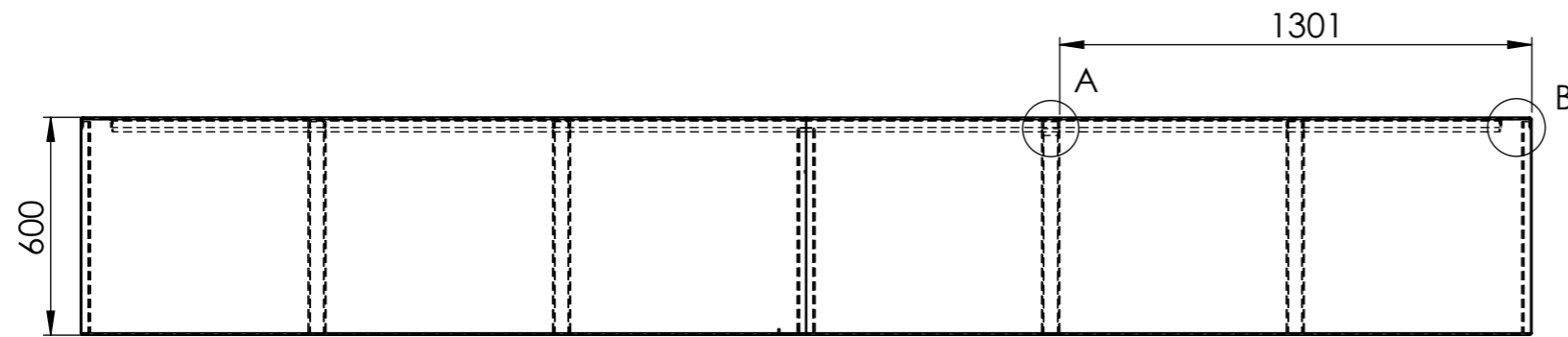
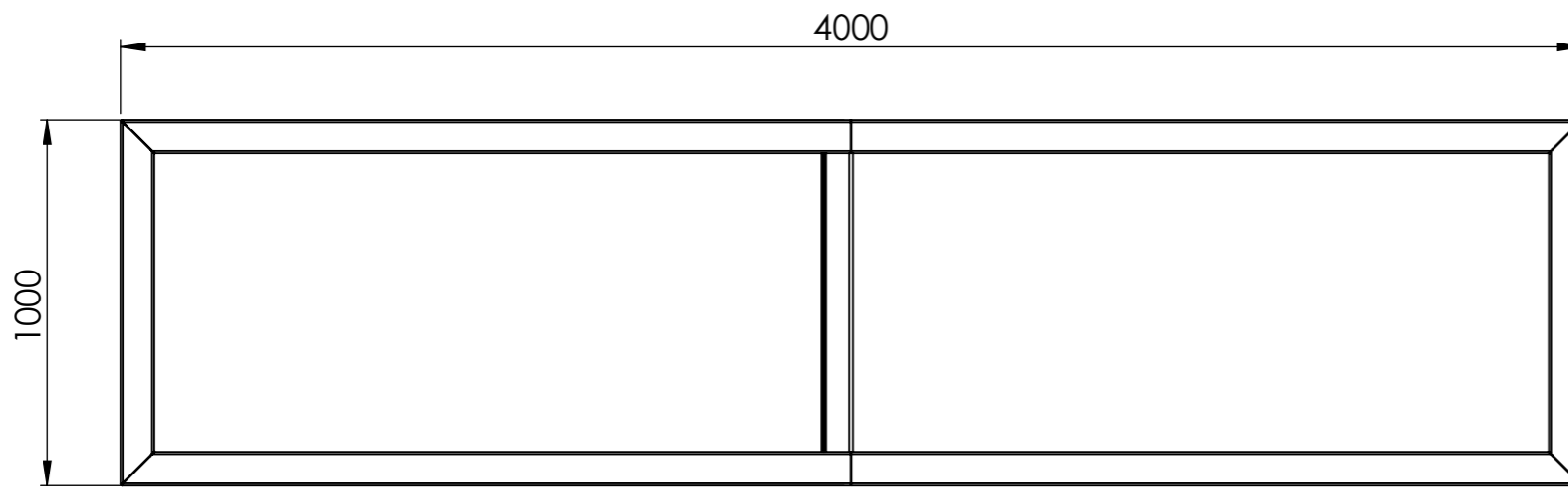


DETAIL C
SCALE 1 : 5

Overflow pipe



Pump and electra



		DATE		TITLE:
DRAWN	Luuk van den Heuvel	2-2-2020		
REVISION	Bas Vlamings	5-4-2024		

ADEZZ
DESIGN TO GROW

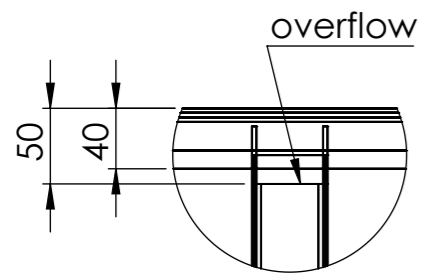
Liessentstraat 4, 5405 AG Uden (NL).
t 0031 (0)413 - 27 41 68.
e info@adezz.com, i www.adezz.com

Color: -

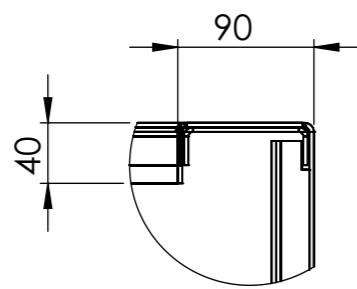
Mass (kg): **310,58**

Drawing: **VC3_** **A3**

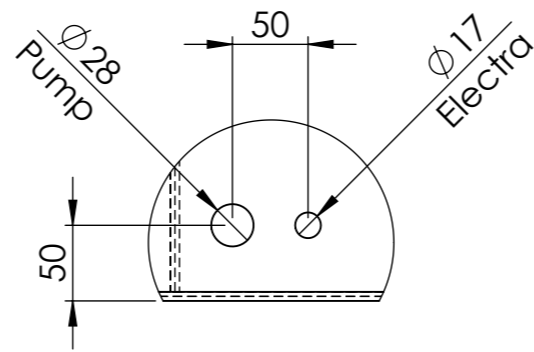
SCALE:1:20 SHEET 1 OF 17



DETAIL A
SCALE 1 : 5



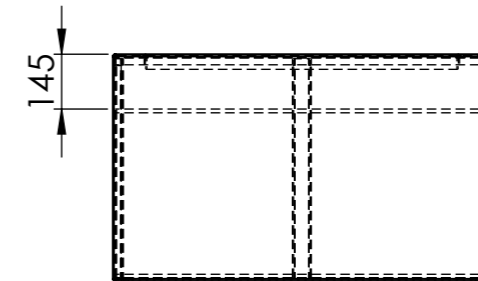
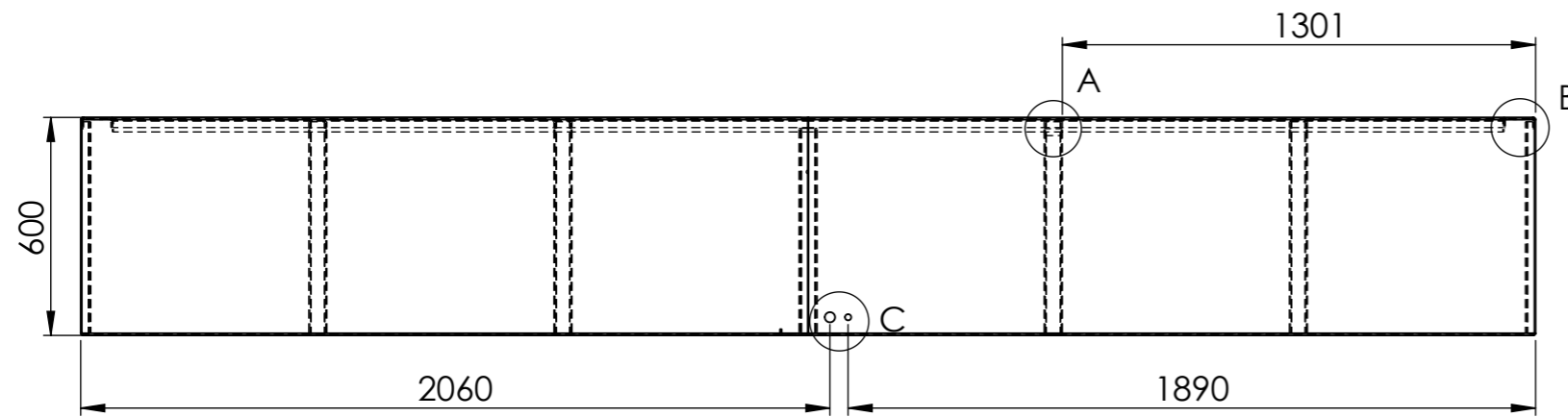
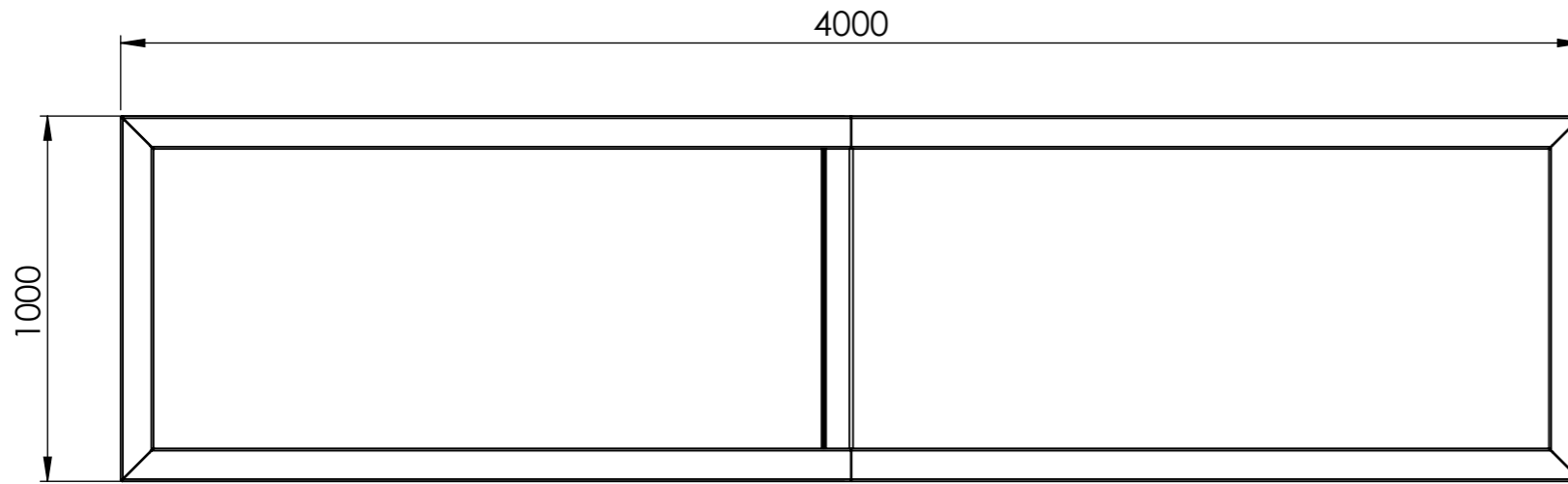
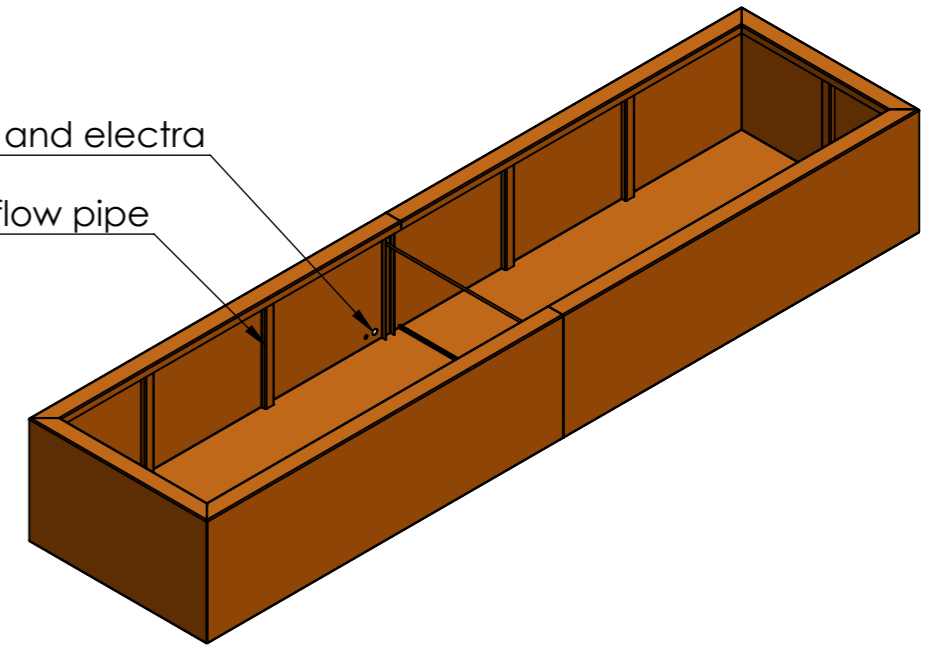
DETAIL B
SCALE 1 : 5



DETAIL C
SCALE 1 : 5

Pump and electra

Overflow pipe



		DATE		TITLE:
DRAWN	Luuk van den Heuvel	2-2-2020		
REVISION	Bas Vlamings	5-4-2024		

ADEZZ
DESIGN TO GROW

Liessentstraat 4, 5405 AG Uden (NL).
t 0031 (0)413 - 27 41 68.
e info@adezz.com, i www.adezz.com

Color:

-

Mass (kg):

310,58

SCALE:1:20

SHEET 1 OF 17

3mm Corten

Drawing:

VC3_

A3